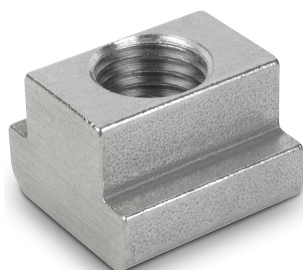


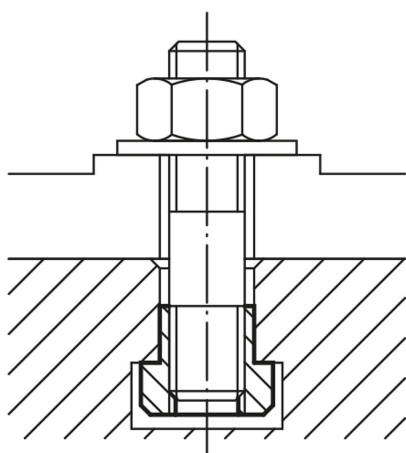
Item description/product images



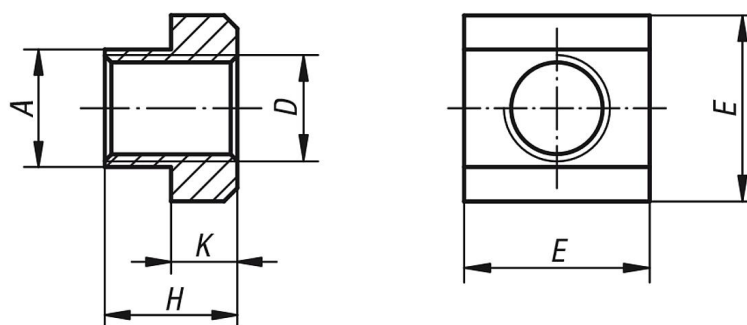
Description

Material:
 Stainless steel 1.4305.

Version:
 Bright.



Drawings



Overview of items

Order No.	Nominal slot size	D	A	E	H	K
80-110-1	8	M6	7,6	13	10	6
80-110-2	10	M8	9,6	15	12	6
80-110-3	12	M10	11,5	18	14	7
80-110-4	14	M12	13,5	22	16	8
80-110-5	18	M16	17,5	28	20	10